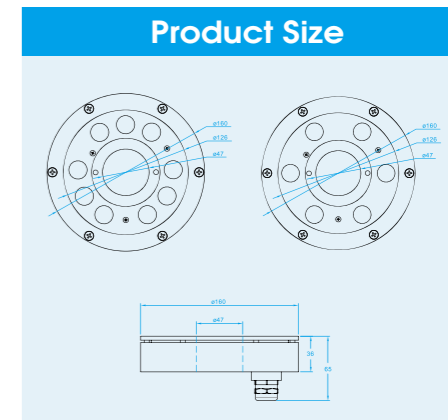


Specification

Model No.:	RS-RP27W316X-FT(88129) / RS-RP24W316X-FT(88129)
Front cover & Housing:	Stainless steel 316L
Dimensions:	D200*H33mm (Nozzle hole size: 47mm; G1/2)
Tempered Glass:	10mm thickness
LED chip:	Cree
LED Q'ty:	9pcs 3W LED / 6pcs 4in1 LED
Cable gland:	Stainless steel 316L PG13.5
Driver:	Constant current driver
Lens:	Clear, Bead, Frosted
Beam Angle Options:	10° 30° 45° 70°
Power Cable:	3/18AWG or 5/18AWG SOOW rubber cable
Protection Class:	IP68
Environment:	Dry / Submerged
Mounting Hardware:	Surface Mounted System / Nozzle fixed
Net Weight:	3.0kgs with 1.5m cable
Lifetime:	>50000H

Order information

Item code	Color	Light source(w)	Line Way	Input Voltage (v)	Operating current (mA)	Consumption (w)	Luminous flux (lm)
88129.093.01	2700-3000K	9*3	V+/V-	AC/DC12-24	2250 / 1125	27	1260
88129.093.02	4000-4500K	9*3	V+/V-	AC/DC12-24	2250 / 1125	27	1332
88129.093.03	5000-5500K	9*3	V+/V-	AC/DC12-24	2250 / 1125	27	1395
88129.093.04	6000-6500K	9*3	V+/V-	AC/DC12-24	2250 / 1125	27	1395
88129.093.05	Red	9*3	V+/V-	AC/DC12-24	1500 / 750	18	315
88129.093.06	Green	9*3	V+/V-	AC/DC12-24	2250 / 1125	27	810
88129.093.07	Blue	9*3	V+/V-	AC/DC12-24	2250 / 1125	27	360
88129.093.08	Yellow	9*3	V+/V-	AC/DC12-24	2250 / 1125	27	855
88129.093.09	RGB-DMX512 (3 channel)	9*3	V+ /V-/D+/D-/GND	AC/DC12-24	R: 500 / 250 B: 750 / 375 G: 750 / 375	R: 6 B: 9 G: 9	R: 105 B: 120 G: 270
88129.093.10	Auto changing color	9*3	V+/V-	AC12-24	R: 500 / 250 B: 750 / 375 G: 750 / 375	R: 6 B: 9 G: 9	R: 105 B: 120 G: 270
88129.093.12	RGBV+ (build-in CC driver)	9*3	R/G/B/V+	DC12-24	R: 500 / 250 B: 750 / 375 G: 750 / 375	R: 6 B: 9 G: 9	R: 105 B: 120 G: 270
88129.064.14	RGBW-DMX512 (4 channel)	6*4in1	V+ /V-/D+/D-/GND	DC12-24	R: 500 / 250 B: 500 / 250 G: 500 / 250 W: 500 / 250	R: 6 B: 6 G: 6 W: 6	R: 150 B: 180 G: 360 W: 540



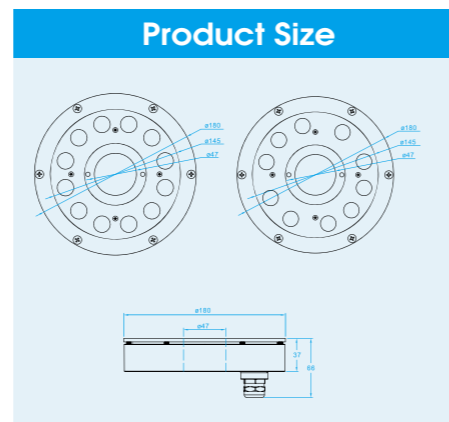
Specification

Model No.:	RS-FT27W316X(88103) / RS-FT24W316X(88103)
Front cover & Housing:	Stainless steel 316L
Dimensions:	D160*H36mm (Nozzle hole size: 47mm)
Tempered Glass:	5mm thickness
LED chip:	Cree
LED Q'ty:	9pcs 3W LED / 6pcs 4in1 LED
Cable gland:	Stainless steel 316L PG13.5
Driver:	Constant current driver
Lens:	Clear, Bead, Frosted
Beam Angle Options:	10° 20° 30° 45° 60° 90°
Power Cable:	3/18AWG or 5/18AWG SOOW rubber cable
Protection Class:	IP68
Environment:	Dry / Submerged
Mounting Hardware:	Surface Mounted System / Nozzle fixed
Net Weight:	2.5kgs with 1.5m cable
Lifetime:	>50000H

Order information

Item code	Color	Light source(w)	Line Way	Input Voltage (v)	Operating current (mA)	Consumption (w)	Luminous flux (lm)
88103.093.01	2700-3000K	9*3	V+/V-	AC/DC12-24	2250 / 1125	27	1260
88103.093.02	4000-4500K	9*3	V+/V-	AC/DC12-24	2250 / 1125	27	1332
88103.093.03	5000-5500K	9*3	V+/V-	AC/DC12-24	2250 / 1125	27	1395
88103.093.04	6000-6500K	9*3	V+/V-	AC/DC12-24	2250 / 1125	27	1395
88103.093.05	Red	9*3	V+/V-	AC/DC12-24	1500 / 750	18	315
88103.093.06	Green	9*3	V+/V-	AC/DC12-24	2250 / 1125	27	810
88103.093.07	Blue	9*3	V+/V-	AC/DC12-24	2250 / 1125	27	360
88103.093.08	Yellow	9*3	V+/V-	AC/DC12-24	2250 / 1125	27	855
88103.093.09	RGB-DMX512 (3 channel)	9*3	V+ /V-/D+/D-/GND	AC/DC12-24	R: 500 / 250 B: 750 / 375 G: 750 / 375	R: 6 B: 9 G: 9	R: 105 B: 120 G: 270
88103.093.10	Auto changing color	9*3	V+/V-	AC12-24	R: 500 / 250 B: 750 / 375 G: 750 / 375	R: 6 B: 9 G: 9	R: 105 B: 120 G: 270
88103.093.12	RGBV+ (build-in CC driver)	9*3	R/G/B/V+	DC12-24	R: 500 / 250 B: 750 / 375 G: 750 / 375	R: 6 B: 9 G: 9	R: 105 B: 120 G: 270
88103.064.13	RGBW-DMX512 (4 channel)	6*4in1	V+ /V-/D+/D-/GND	DC24	R: 250 B: 250 G: 250 W: 250	R: 6 B: 6 G: 6 W: 6	R: 150 B: 180 G: 360 W: 540



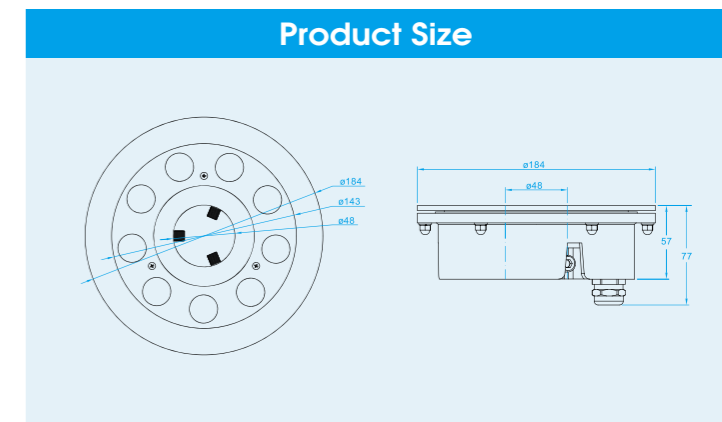


Specification

Model No.:	RS-FT36W316X(88104) / RS-FT40W316X(88104)
Front cover & Housing:	Stainless steel 316L
Dimensions:	D180*H37mm (Nozzle hole size: 47mm)
Tempered Glass:	5mm thickness
LED chip:	Cree
LED Q'ty:	12pcs 3W LED / 10pcs 4in1 LED
Cable gland:	Stainless steel 316L PG13.5
Driver:	Constant current driver
Lens:	Clear, Bead, Frosted
Beam Angle Options:	10° 20° 30° 45° 60° 90°
Power Cable:	3/18AWG or 5/18AWG SOOW rubber cable
Protection Class:	IP68
Environment:	Dry / Submerged
Mounting Hardware:	Surface Mounted System / Nozzle fixed
Net Weight:	3.0kgs with 1.5m cable
Lifetime:	>50000H

Order information

Item code	Color	Light source(w)	Line Way	Input Voltage (v)	Operating current (mA)	Consumption (w)	Luminous flux (lm)
88104.123.01	2700-3000K	12*3	V+/V-	AC/DC24	1500	36	1680
88104.123.02	4000-4500K	12*3	V+/V-	AC/DC24	1500	36	1776
88104.123.03	5000-5500K	12*3	V+/V-	AC/DC24	1500	36	1860
88104.123.04	6000-6500K	12*3	V+/V-	AC/DC24	1500	36	1860
88104.123.05	Red	12*3	V+/V-	AC/DC24	1000	24	420
88104.123.06	Green	12*3	V+/V-	AC/DC24	1500	36	1080
88104.123.07	Blue	12*3	V+/V-	AC/DC24	1500	36	480
88104.123.08	Yellow	12*3	V+/V-	AC/DC24	1500	36	1140
88104.123.09	RGB-DMX512 (3 channel)	12*3	V+ /V-/D+/D-/GND	AC/DC24	R: 333 G: 500 B: 500	R: 8 G: 12 B: 12	R: 140 G: 360 B: 160
88104.123.10	Auto changing color	12*3	V+/V-	AC24	R: 333 G: 500 B: 500	R: 8 G: 12 B: 12	R: 140 G: 360 B: 160
88104.123.12	RGBV+ (build-in CC driver)	12*3	R/G/B/V+	DC24	R: 333 G: 500 B: 500	R: 8 G: 12 B: 12	R: 140 G: 360 B: 160
88104.104.13	RGBW-DMX512 (4 channel)	10*4in1	V+ /V-/D+/D-/GND	AC/DC24	R: 416 G: 416 B: 416 W: 416	R: 10 G: 10 B: 10 W: 10	R: 250 G: 600 B: 300 W: 900



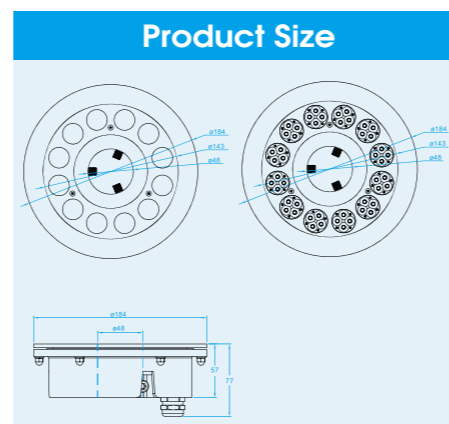
Specification

Model No.:	RS-FT27W316X-B(88135)
Front cover & Housing:	Stainless steel 316L
Dimensions:	D184*H57mm (Nozzle hole size: 48mm)
Tempered Glass:	10mm thickness
LED chip:	Cree / Edison
LED Q'ty:	9pcs 3W LED / 9pcs 3in1 LED / 9pcs 4in1 LED
Cable gland:	Stainless steel 316L PG13.5
Driver:	Constant current driver
Lens:	Clear, Bead, Frosted
Beam Angle Options:	10° 20° 30° 45° 60° 90°
Power Cable:	3/18AWG or 5/18AWG SOOW rubber cable
Protection Class:	IP68
Environment:	Dry / Submerged
Mounting Hardware:	Surface Mounted System / Nozzle fixed
Net Weight:	4.5kgs with 1.5m cable
Lifetime:	>50000H

Order information

Item code	Color	Light source(w)	Line Way	Input Voltage (v)	Operating current (mA)	Consumption (w)	Luminous flux (lm)
88135.093.01	2700-3000K	9*3	V+/V-	AC/DC12-24	2250 / 1125	27	1260
88135.093.02	4000-4500K	9*3	V+/V-	AC/DC12-24	2250 / 1125	27	1332
88135.093.03	5000-5500K	9*3	V+/V-	AC/DC12-24	2250 / 1125	27	1395
88135.093.04	6000-6500K	9*3	V+/V-	AC/DC12-24	2250 / 1125	27	1395
88135.093.05	Red	9*3	V+/V-	AC/DC12-24	1500 / 750	18	315
88135.093.06	Green	9*3	V+/V-	AC/DC12-24	2250 / 1125	27	810
88135.093.07	Blue	9*3	V+/V-	AC/DC12-24	2250 / 1125	27	360
88135.093.08	Yellow	9*3	V+/V-	AC/DC12-24	2250 / 1125	27	855
88135.093.09	RGB-DMX512 (3 channel)	9*3	V+ /V-/D+/D-/GND	AC/DC12-24	R: 500 / 250 G: 750 / 375 B: 750 / 375	R: 6 G: 9 B: 9	R: 105 G: 270 B: 120
88135.093.10	Auto changing color	9*3	V+/V-	AC12-24	R: 500 / 250 G: 750 / 375 B: 750 / 375	R: 6 G: 9 B: 9	R: 105 G: 270 B: 120
88135.093.12	RGBV+ (build-in CC driver)	9*3	R/G/B/V+	DC12-24	R: 500 / 250 G: 750 / 375 B: 750 / 375	R: 6 G: 9 B: 9	R: 105 G: 270 B: 120
88135.093.13	RGB-DMX512 (3 channel)	9*3in1	V+ /V-/D+/D-/GND	AC/DC24	R: 500 / 250 G: 750 / 375 B: 750 / 375	R: 9 G: 9 B: 9	R: 225 G: 540 B: 270
88135.094.14	RGBW-DMX512 (4 channel)	9*4in1	V+ /V-/D+/D-/GND	AC/DC24	R: 375 G: 375 B: 375 W: 375	R: 9 G: 9 B: 9 W: 9	R: 225 G: 540 B: 270 W: 810



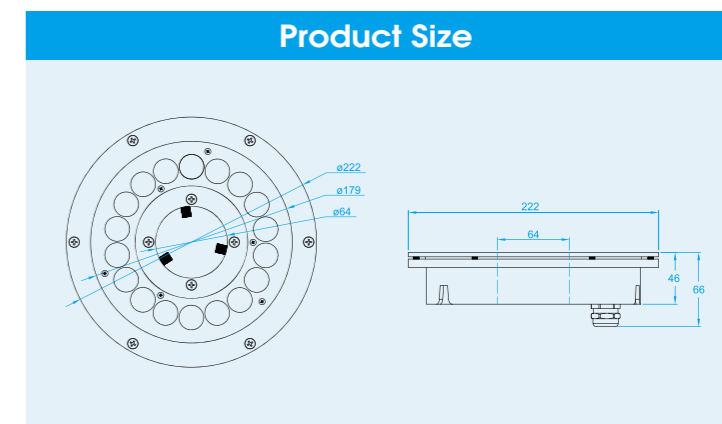


Specification

Model No.:	RS-FT36W316X-B(88135) / RS-FT60W316X-B(88135)
Front cover & Housing:	Stainless steel 316L
Dimensions:	D184*H57mm (Nozzle hole size: 48mm)
Tempered Glass:	10mm thickness
LED chip:	Cree / Edison
LED Q'ty:	12pcs 3W LED / 12pcs 3in1 LED / 12pcs 4in1 LED / 48pcs 3W LED
Cable gland:	Stainless steel 316L PG13.5
Driver:	Constant current driver
Lens:	Clear, Bead, Frosted
Beam Angle Options:	10° 20° 30° 45° 60° 90°
Power Cable:	3/18AWG or 5/18AWG SOOW rubber cable
Protection Class:	IP68
Environment:	Dry / Submerged
Mounting Hardware:	Surface Mounted System / Nozzle fixed
Net Weight:	4.5kgs with 1.5m cable
Lifetime:	>50000H

Order information

Item code	Color	Light source(w)	Line Way	Input Voltage (v)	Operating current (mA)	Consumption (w)	Luminous flux (lm)
88135.123.01	2700-3000K	12*3	V+/V-	AC/DC24	1500	36	1680
88135.123.02	4000-4500K	12*3	V+/V-	AC/DC24	1500	36	1776
88135.123.03	5000-5500K	12*3	V+/V-	AC/DC24	1500	36	1860
88135.123.04	6000-6500K	12*3	V+/V-	AC/DC24	1500	36	1860
88135.123.05	Red	12*3	V+/V-	AC/DC24	1000	24	420
88135.123.06	Green	12*3	V+/V-	AC/DC24	1500	36	1080
88135.123.07	Blue	12*3	V+/V-	AC/DC24	1500	36	480
88135.123.08	Yellow	12*3	V+/V-	AC/DC24	1500	36	1140
88135.123.09	RGB-DMX512 (3 channel)	12*3	V+ /V-/D+/D-/GND	DC24	R: 333 G: 500 B: 500	R: 8 G: 12 B: 12	R: 140 G: 360 B: 160
88135.123.10	Auto changing color	12*3	V+/V-	AC24	R: 333 G: 500 B: 500	R: 8 G: 12 B: 12	R: 140 G: 360 B: 160
88135.123.12	RGBV+ (build-in CC driver)	12*3	R/G/B/V+	DC24	R: 333 G: 500 B: 500	R: 8 G: 12 B: 12	R: 140 G: 360 B: 160
88135.123.13	RGB-DMX512 (3 channel)	12*3in1	V+ /V-/D+/D-/GND	DC24	R: 500 G: 500 B: 500	R: 12 G: 12 B: 12	R: 300 G: 720 B: 360
88135.124.14	RGBW-DMX512 (4 channel)	12*4in1	V+ /V-/D+/D-/GND	DC24	R: 500 G: 500 B: 500 W: 500	R: 12 G: 12 B: 12 W: 12	R: 300 G: 720 B: 360 W: 1080
88135.483.15	RGBW-DMX512 (4 channel)	48*3	V+ /V-/D+/D-/GND	DC24	R: 625 G: 625 B: 625 W: 625	R: 15 G: 15 B: 15 W: 15	R: 525 G: 1350 B: 600 W: 1425



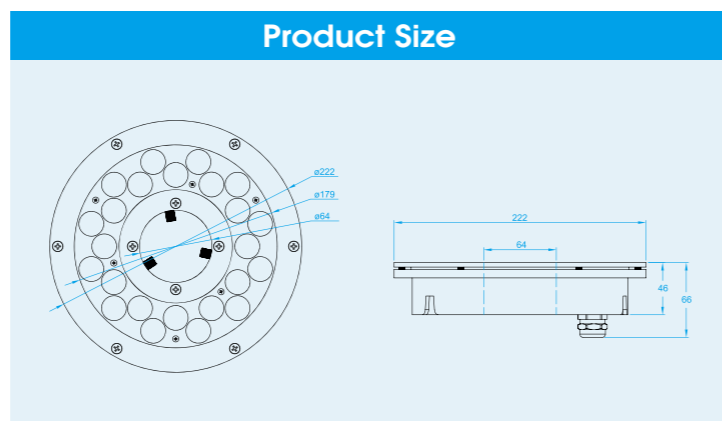
Specification

Model No.:	RS-FT54W316X-A(88134) / RS-FT72W316X-A(88134)
Front cover & Housing:	Stainless steel 316L
Dimensions:	D222*H46mm (Nozzle hole size: 64mm)
Tempered Glass:	10mm thickness
LED chip:	Cree / Edison
LED Q'ty:	18pcs 3W LED / 18pcs 3in1 LED / 18pcs 4in1 LED / 24pcs 3W LED
Cable gland:	Stainless steel 316L PG13.5
Driver:	Constant current driver
Lens:	Clear, Bead, Frosted
Beam Angle Options:	10° 20° 30° 45° 60° 90°
Power Cable:	3/18AWG or 5/18AWG SOOW rubber cable
Protection Class:	IP68
Environment:	Dry / Submerged
Mounting Hardware:	Surface Mounted System / Nozzle fixed
Net Weight:	6.0kgs with 1.5m cable
Lifetime:	>50000H

Order information

Item code	Color	Light source(w)	Line Way	Input Voltage (v)	Operating current (mA)	Consumption (w)	Luminous flux (lm)
88134.243.01	2700-3000K	24*3	V+/V-	AC/DC24	3000	72	3360
88134.243.02	4000-4500K	24*3	V+/V-	AC/DC24	3000	72	3352
88134.243.03	5000-5500K	24*3	V+/V-	AC/DC24	3000	72	3720
88134.243.04	6000-6500K	24*3	V+/V-	AC/DC24	3000	72	3720
88134.243.05	Red	24*3	V+/V-	AC/DC24	2000	48	840
88134.243.06	Green	24*3	V+/V-	AC/DC24	3000	72	2160
88134.243.07	Blue	24*3	V+/V-	AC/DC24	3000	72	960
88134.243.08	Yellow	24*3	V+/V-	AC/DC24	3000	72	2280
88134.183.09	RGB-DMX512 (3 channel)	18*3	V+ /V-/D+/D-/GND	DC24	R: 500 G: 750 B: 750	R: 12 G: 18 B: 18	R: 210 G: 540 B: 240
88134.183.10	Auto changing color	18*3	V+/V-	AC24	R: 500 G: 750 B: 750	R: 12 G: 18 B: 18	R: 210 G: 540 B: 240
88134.183.12	RGBV+ (build-in CC driver)	18*3	R/G/B/V+	DC24	R: 500 G: 750 B: 750	R: 12 G: 18 B: 18	R: 210 G: 540 B: 240
88134.243.13	RGBW-DMX512 (4 channel)	24*3	V+ /V-/D+/D-/GND	DC24	R: 500 G: 750 B: 750 W: 750	R: 12 G: 18 B: 18 W: 18	R: 210 G: 540 B: 240 W: 840
88134.183.14	RGB-DMX512 (3 channel)	18*3in1	V+ /V-/D+/D-/GND	DC24	R: 750 G: 750 B: 750	R: 18 G: 18 B: 18	R: 450 G: 1080 B: 540
88134.184.15	RGBW-DMX512 (4 channel)	18*4in1	V+ /V-/D+/D-/GND	DC24	R: 750 G: 750 B: 750 W: 750	R: 18 G: 18 B: 18 W: 18	R: 450 G: 1080 B: 540 W: 1620



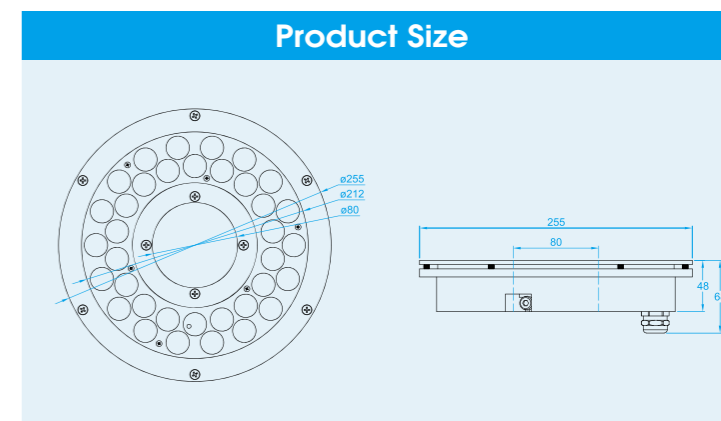


Specification

Model No.:	RS-FT54W316X-A(88134) / RS-FT72W316X-A(88134)
Front cover & Housing:	Stainless steel 316L
Dimensions:	D222*H46mm (Nozzle hole size: 64mm)
Tempered Glass:	10mm thickness
LED chip:	Cree / Edison
LED Q'ty:	18pcs 3W LED / 18pcs 3in1 LED / 18pcs 4in1 LED / 24pcs 3W LED
Cable gland:	Stainless steel 316L PG13.5
Driver:	Constant current driver
Lens:	Clear, Bead, Frosted
Beam Angle Options:	10° 20° 30° 45° 60° 90°
Power Cable:	3/18AWG or 5/18AWG SOOW rubber cable
Protection Class:	IP68
Environment:	Dry / Submerged
Mounting Hardware:	Surface Mounted System / Nozzle fixed
Net Weight:	6.0kgs with 1.5m cable
Lifetime:	>50000H

Order information

Item code	Color	Light source(w)	Line Way	Input Voltage (v)	Operating current (mA)	Consumption (w)	Luminous flux (lm)
88134.243.01	2700-3000K	24*3	V+/V-	AC/DC24	3000	72	3360
88134.243.02	4000-4500K	24*3	V+/V-	AC/DC24	3000	72	3352
88134.243.03	5000-5500K	24*3	V+/V-	AC/DC24	3000	72	3720
88134.243.04	6000-6500K	24*3	V+/V-	AC/DC24	3000	72	3720
88134.243.05	Red	24*3	V+/V-	AC/DC24	2000	48	840
88134.243.06	Green	24*3	V+/V-	AC/DC24	3000	72	2160
88134.243.07	Blue	24*3	V+/V-	AC/DC24	3000	72	960
88134.243.08	Yellow	24*3	V+/V-	AC/DC24	3000	72	2280
88134.183.09	RGB-DMX512 (3 channel)	18*3	V+ /V-/D+/D-/GND	DC24	R: 500 B: 750 G: 750	R: 12 B: 18 G: 18	R: 210 B: 240 G: 540
88134.183.10	Auto changing color	18*3	V+/V-	AC24	R: 500 B: 750 G: 750	R: 12 B: 18 G: 18	R: 210 B: 240 G: 540
88134.183.12	RGBV+ (build-in CC driver)	18*3	R/G/B/V+	DC24	R: 500 B: 750 G: 750	R: 12 B: 18 G: 18	R: 210 B: 240 G: 540
88134.243.13	RGBW-DMX512 (4 channel)	24*3	V+ /V-/D+/D-/GND	DC24	R: 500 B: 750 G: 750 W: 750	R: 12 B: 18 G: 18 W: 18	R: 210 B: 240 G: 540 W: 840
88134.183.14	RGB-DMX512 (3 channel)	18*3in1	V+ /V-/D+/D-/GND	DC24	R: 750 B: 750 G: 750	R: 18 B: 18 G: 18	R: 450 B: 540 G: 1080
88134.184.15	RGBW-DMX512 (4 channel)	18*4in1	V+ /V-/D+/D-/GND	DC24	R: 750 B: 750 G: 750 W: 750	R: 18 B: 18 G: 18 W: 18	R: 450 B: 540 G: 1080 W: 1620



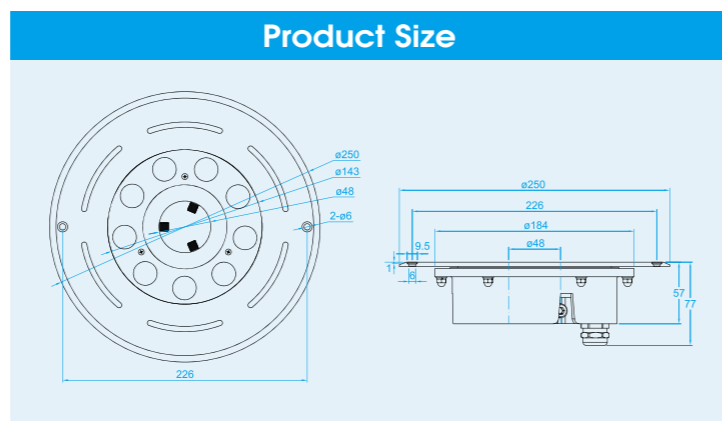
Specification

Model No.:	RS-FT108W316X(88156) / RS-FT120W316X(88156) / RS-FT144W316X(88156)
Front cover & Housing:	Stainless steel 316L
Dimensions:	D255*H48mm (Nozzle hole size: 80mm)
Tempered Glass:	10mm thickness
LED chip:	Cree / Edison / Epistar
LED Q'ty:	36pcs 3W LED / 36pcs 3in1 LED / 96pcs 3W LED / 36pcs 4in1 LED
Cable gland:	Stainless steel 316L PG13.5
Driver:	Constant current driver
Lens:	Clear, Bead, Frosted
Beam Angle Options:	10° 20° 30° 45° 60° 90°
Power Cable:	3/18AWG or 5/18AWG SOOW rubber cable
Protection Class:	IP68
Environment:	Dry / Submerged
Mounting Hardware:	Surface Mounted System / Nozzle fixed
Net Weight:	7.5kgs with 1.5m cable
Lifetime:	>50000H

Order information

Item code	Color	Light source(w)	Line Way	Input Voltage (v)	Operating current (mA)	Consumption (w)	Luminous flux (lm)
88156.363.01	2700-3000K	36*3	V+/V-	DC24	4500	108	5040
88156.363.02	4000-4500K	36*3	V+/V-	DC24	4500	108	5220
88156.363.03	5000-5500K	36*3	V+/V-	DC24	4500	108	5580
88156.363.04	6000-6500K	36*3	V+/V-	DC24	4500	108	5580
88156.363.05	Red	36*3	V+/V-	DC24	3000	72	1260
88156.363.06	Green	36*3	V+/V-	DC24	4500	108	3240
88156.363.07	Blue	36*3	V+/V-	DC24	4500	108	1440
88156.363.08	Yellow	36*3	V+/V-	DC24	4500	108	3420
88156.363.09	RGB-DMX512 (3 channel)	36*3	V+ /V-/D+/D-/GND	DC24	R: 1000 B: 1500 G: 1500	R: 24 B: 36 G: 36	R: 420 B: 480 G: 1080
88156.363.12	RGBV+ (build-in CC driver)	36*3	R/G/B/V+	DC24	R: 1000 B: 1500 G: 1500	R: 24 B: 36 G: 36	R: 420 B: 480 G: 1080
88156.363.13	RGB-DMX512 (3 channel)	36*3in1	V+ /V-/D+/D-/GND	DC24	R: 1500 B: 1500 G: 1500	R: 36 B: 36 G: 36	R: 900 B: 1080 G: 2160
88156.364.14	RGBW-DMX512 (4 channel)	36*4in1	V+ /V-/D+/D-/GND	DC24	R: 1500 B: 1500 G: 1500 W: 1500	R: 36 B: 36 G: 36 W: 36	R: 900 B: 1080 G: 2160 W: 3240
88156.963.16	RGBW-DMX512 (4 channel)	96*3	V+ /V-/D+/D-/GND	DC24	R: 1250 B: 1250 G: 1250 W: 1250	R: 30 B: 30 G: 30 W: 30	R: 960 B: 860 G: 1380 W: 1900



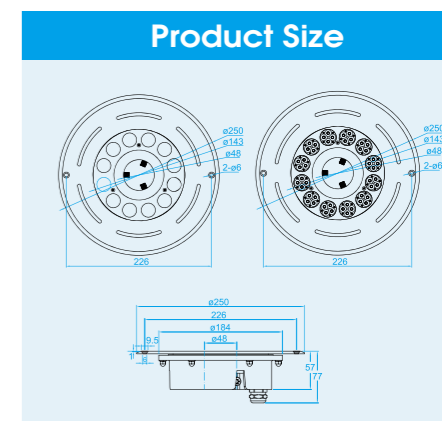


Specification

Model No.:	RS-FT27W316X-A(88133)
Front cover & Housing:	Stainless steel 316L
Dimensions:	D250*H57mm (Nozzle hole size: 48mm)
Tempered Glass:	10mm thickness
LED chip:	Cree / Edison
LED Q'ty:	9pcs 3W LED / 9pcs 3in1 LED / 9pcs 4in1 LED
Cable gland:	Stainless steel 316L PG13.5
Driver:	Constant current driver
Lens:	Clear, Bead, Frosted
Beam Angle Options:	10° 20° 30° 45° 60° 90°
Power Cable:	3/18AWG or 5/18AWG SOOW rubber cable
Protection Class:	IP68
Environment:	Dry / Submerged
Mounting Hardware:	Floor Recessed / Nozzle fixed
Net Weight:	5.0kgs with 1.5m cable
Lifetime:	>50000H

Order information

Item code	Color	Light source(w)	Line Way	Input Voltage (v)	Operating current (mA)	Consumption (w)	Luminous flux (lm)
88133.093.01	2700-3000K	9*3	V+/V-	AC/DC12-24	2250 / 1125	27	1260
88133.093.02	4000-4500K	9*3	V+/V-	AC/DC12-24	2250 / 1125	27	1332
88133.093.03	5000-5500K	9*3	V+/V-	AC/DC12-24	2250 / 1125	27	1395
88133.093.04	6000-6500K	9*3	V+/V-	AC/DC12-24	2250 / 1125	27	1395
88133.093.05	Red	9*3	V+/V-	AC/DC12-24	1500 / 750	18	315
88133.093.06	Green	9*3	V+/V-	AC/DC12-24	2250 / 1125	27	810
88133.093.07	Blue	9*3	V+/V-	AC/DC12-24	2250 / 1125	27	360
88133.093.08	Yellow	9*3	V+/V-	AC/DC12-24	2250 / 1125	27	855
88133.093.09	RGB-DMX512 (3 channel)	9*3	V+/V- /D+/D-/GND	AC/DC12-24	R: 500 / 250 B: 750 / 375 G: 750 / 375	R: 6 B: 9 G: 9	R: 105 B: 120 G: 270
88133.093.10	Auto changing color	9*3	V+/V-	AC12-24	R: 500 / 250 B: 750 / 375 G: 750 / 375	R: 6 B: 9 G: 9	R: 105 B: 120 G: 270
88133.093.12	RGBV+ (build-in CC driver)	9*3	R/G/B/V+	DC12-24	R: 500 / 250 B: 750 / 375 G: 750 / 375	R: 6 B: 9 G: 9	R: 105 B: 120 G: 270
88133.093.13	RGB-DMX512 (3 channel)	9*3in1	V+/V- /D+/D-/GND	DC12-24	R: 750 / 375 B: 750 / 375 G: 750 / 375	R: 9 B: 9 G: 9	R: 225 B: 270 G: 540
88133.094.14	RGBW-DMX512 (4 channel)	9*4in1	V+/V- /D+/D-/GND	DC24	R: 375 B: 375 G: 375 W: 375	R: 9 B: 9 G: 9 W: 9	R: 225 B: 270 G: 540 W: 810



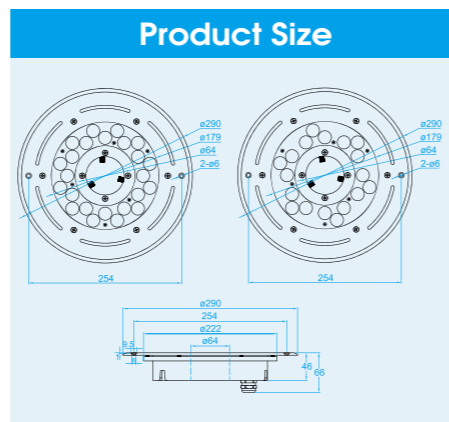
Specification

Model No.:	RS-FT36W316X-A(88133) / RS-FT60W316X-A(88133)
Front cover & Housing:	Stainless steel 316L
Dimensions:	D250*H57mm (Nozzle hole size: 48mm)
Tempered Glass:	10mm thickness
LED chip:	Cree
LED Q'ty:	12pcs 3W LED / 12pcs 4in1 LED
Cable gland:	Stainless steel 316L PG13.5
Driver:	Constant current driver
Lens:	Clear, Bead, Frosted
Beam Angle Options:	10° 20° 30° 45° 60° 90°
Power Cable:	3/18AWG or 5/18AWG SOOW rubber cable
Protection Class:	IP68
Environment:	Dry / Submerged
Mounting Hardware:	Floor Recessed / Nozzle fixed
Net Weight:	5.0kgs with 1.5m cable
Lifetime:	>50000H

Order information

Item code	Color	Light source(w)	Line Way	Input Voltage (v)	Operating current (mA)	Consumption (w)	Luminous flux (lm)
88133.123.01	2700-3000K	12*3	V+/V-	AC/DC12-24	3000 / 1500	36	1680
88133.123.02	4000-4500K	12*3	V+/V-	AC/DC12-24	3000 / 1500	36	1776
88133.123.03	5000-5500K	12*3	V+/V-	AC/DC12-24	3000 / 1500	36	1860
88133.123.04	6000-6500K	12*3	V+/V-	AC/DC12-24	3000 / 1500	36	1860
88133.123.05	Red	12*3	V+/V-	AC/DC12-24	2000 / 1000	24	420
88133.123.06	Green	12*3	V+/V-	AC/DC12-24	3000 / 1500	36	1080
88133.123.07	Blue	12*3	V+/V-	AC/DC12-24	3000 / 1500	36	480
88133.123.08	Yellow	12*3	V+/V-	AC/DC12-24	3000 / 1500	36	1140
88133.123.09	RGB-DMX512 (3 channel)	12*3	V+/V- /D+/D-/GND	DC24	R: 333 B: 500 G: 500	R: 8 B: 12 G: 12	R: 140 B: 160 G: 360
88133.123.10	Auto changing color	12*3	V+/V-	AC24	R: 333 B: 500 G: 500	R: 8 B: 12 G: 12	R: 140 B: 160 G: 360
88133.123.12	RGBV+ (build-in CC driver)	12*3	R/G/B/V+	DC24	R: 333 B: 500 G: 500	R: 8 B: 12 G: 12	R: 140 B: 160 G: 360
88133.124.13	RGBW-DMX512 (4 channel)	12*4in1	V+/V- /D+/D-/GND	DC24	R: 500 B: 500 G: 500 W: 500	R: 12 B: 12 G: 12 W: 12	R: 300 B: 360 G: 720 W: 1080



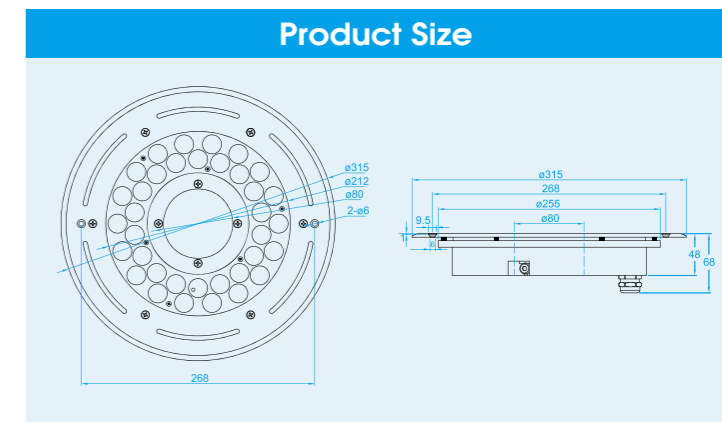


Specification

Model No.:	RS-FT54W316X(88132) / RS-FT72W316X(88132)
Front cover & Housing:	Stainless steel 316L
Dimensions:	D290*H46mm (Nozzle hole size: 64mm)
Tempered Glass:	10mm thickness
LED chip:	Cree / Edison
LED Q'ty:	18pcs 3W LED / 18pcs 3in1 LED / 18pcs 4in1 LED / 24pcs 3W LED
Cable gland:	Stainless steel 316L PG13.5
Driver:	Constant current driver
Lens:	Clear, Bead, Frosted
Beam Angle Options:	10° 20° 30° 45° 60° 90°
Power Cable:	3/18AWG or 5/18AWG SOOW rubber cable
Protection Class:	IP68
Environment:	Dry / Submerged
Mounting Hardware:	Floor Recessed / Nozzle fixed
Net Weight:	6.0kgs with 1.5m cable
Lifetime:	>50000H

Order information

Item code	Color	Light source(w)	Line Way	Input Voltage (v)	Operating current (mA)	Consumption (w)	Luminous flux (lm)
88132.243.01	2700-3000K	24*3	V+/V-	AC/DC24	3000	72	3360
88132.243.02	4000-4500K	24*3	V+/V-	AC/DC24	3000	72	3352
88132.243.03	5000-5500K	24*3	V+/V-	AC/DC24	3000	72	3720
88132.243.04	6000-6500K	24*3	V+/V-	AC/DC24	3000	72	3720
88132.243.05	Red	24*3	V+/V-	AC/DC24	2000	48	840
88132.243.06	Green	24*3	V+/V-	AC/DC24	3000	72	2160
88132.243.07	Blue	24*3	V+/V-	AC/DC24	3000	72	960
88132.243.08	Yellow	24*3	V+/V-	AC/DC24	3000	72	2280
88132.183.09	RGB-DMX512 (3 channel)	18*3	V+/V- /D+/D-/GND	DC24	R: 500 B: 750 G: 750	R: 12 B: 18 G: 18	R: 210 B: 240 G: 540
88132.183.10	Auto changing color	18*3	V+/V-	AC24	R: 500 B: 750 G: 750	R: 12 B: 18 G: 18	R: 210 B: 240 G: 540
88132.183.12	RGBV+ (build-in CC driver)	18*3	R/G/B/V+	DC24	R: 500 B: 750 G: 750	R: 12 B: 18 G: 18	R: 210 B: 240 G: 540
88132.243.13	RGBW-DMX512 (4 channel)	24*3	V+/V- /D+/D-/GND	DC24	R: 500 B: 750 W: 750 G: 750	R: 12 B: 18 W: 18 G: 18	R: 210 B: 240 W: 840 G: 540
88132.183.14	RGB-DMX512 (3 channel)	18*3in1	V+/V- /D+/D-/GND	DC24	R: 750 B: 750 G: 750	R: 18 B: 18 G: 18	R: 450 B: 540 G: 1080
88132.184.15	RGBW-DMX512 (4 channel)	18*4in1	V+/V- /D+/D-/GND	DC24	R: 750 B: 750 W: 750 G: 750	R: 18 B: 18 W: 18 G: 18	R: 450 B: 540 W: 1620 G: 1080



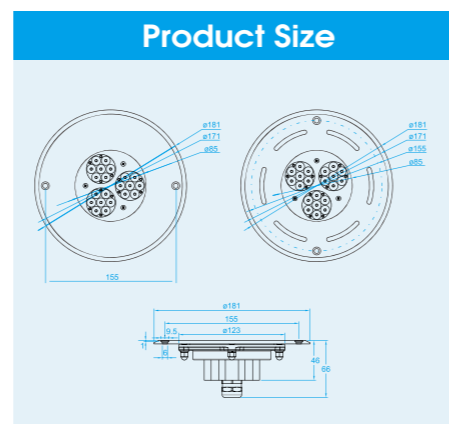
Specification

Model No.:	RS-FT108W316X-A(88157) / RS-FT144W316X-A(88157)
Front cover & Housing:	Stainless steel 316L
Dimensions:	D315*H46mm (Nozzle hole size: 80mm)
Tempered Glass:	10mm thickness
LED chip:	Cree / Edison / Epistar
LED Q'ty:	36pcs 3W LED / 36pcs 3in1 LED / 36pcs 4in1 LED
Cable gland:	Stainless steel 316L PG13.5
Driver:	Constant current driver
Lens:	Clear, Bead, Frosted
Beam Angle Options:	10° 20° 30° 45° 60° 90°
Power Cable:	3/18AWG or 5/18AWG SOOW rubber cable
Protection Class:	IP68
Environment:	Dry / Submerged
Mounting Hardware:	Floor Recessed / Nozzle fixed
Net Weight:	8.8kgs with 1.5m cable
Lifetime:	>50000H

Order information

Item code	Color	Light source(w)	Line Way	Input Voltage (v)	Operating current (mA)	Consumption (w)	Luminous flux (lm)
88157.363.01	2700-3000K	36*3	V+/V-	DC24	4500	108	5040
88157.363.02	4000-4500K	36*3	V+/V-	DC24	4500	108	5220
88157.363.03	5000-5500K	36*3	V+/V-	DC24	4500	108	5580
88157.363.04	6000-6500K	36*3	V+/V-	DC24	4500	108	5580
88157.363.05	Red	36*3	V+/V-	DC24	3000	72	1260
88157.363.06	Green	36*3	V+/V-	DC24	4500	108	3240
88157.363.07	Blue	36*3	V+/V-	DC24	4500	108	1440
88157.363.08	Yellow	36*3	V+/V-	DC24	4500	108	3420
88157.363.09	RGB-DMX512 (3 channel)	36*3	V+/V- /D+/D-/GND	DC24	R: 1000 B: 1500 G: 1500	R: 24 B: 36 G: 36	R: 420 B: 480 G: 1080
88157.363.12	RGBV+ (build-in CC driver)	36*3	R/G/B/V+	DC24	R: 1000 B: 1500 G: 1500	R: 24 B: 36 G: 36	R: 420 B: 480 G: 1080
88157.363.13	RGB-DMX512 (3 channel)	36*3in1	V+/V- /D+/D-/GND	DC24	R: 1500 B: 1500 G: 1500	R: 36 B: 36 G: 36	R: 900 B: 1080 G: 2160
88157.364.14	RGBW-DMX512 (4 channel)	36*4in1	V+/V- /D+/D-/GND	DC24	R: 1500 B: 1500 W: 1500 G: 1500	R: 36 B: 36 W: 36 G: 36	R: 900 B: 1080 W: 3240 G: 2160



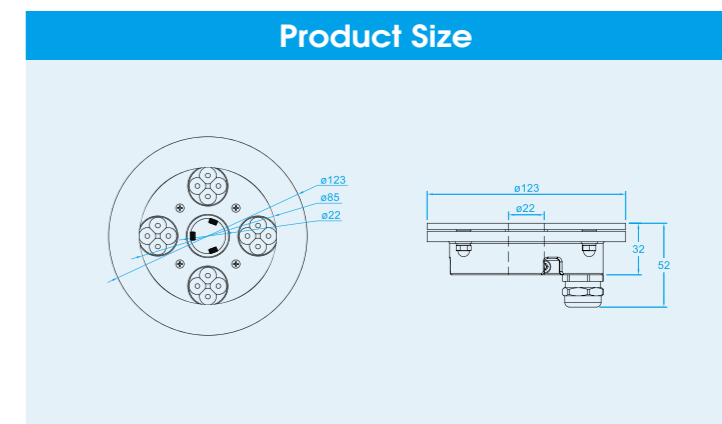


Specification

Model No.:	RS-FT18W316X-C(88176) / RS-FT27W316X-C(88176)
Front cover & Housing:	Stainless steel 316L
Dimensions:	D181*H46mm
Tempered Glass:	8mm thickness
LED chip:	Cree
LED Q'ty:	18pcs 1W LED / 18pcs 3W LED / 21pcs 3W LED
Cable gland:	Stainless steel 316L PG13.5
Driver:	Constant current driver
Lens:	Clear, Bead
Beam Angle Options:	10° 30° 60°
Power Cable:	3/18AWG or 5/18AWG SOOW rubber cable
Protection Class:	IP68
Environment:	Floor recessed / Nozzle fixed
Mounting Hardware:	Surface Mounted System
Net Weight:	1.6kgs with 1.5m cable
Lifetime:	>50000H

Order information

Item code	Color	Light source(w)	Line Way	Input Voltage (v)	Operating current (mA)	Consumption (w)	Luminous flux (lm)
88176.181.01	2700-3000K	18*1	V+ /V-	DC24	750	18	1620
88176.181.02	4000-4500K	18*1	V+ /V-	DC24	750	18	1710
88176.181.03	5000-5500K	18*1	V+ /V-	DC24	750	18	1800
88176.181.04	6000-6500K	18*1	V+ /V-	DC24	750	18	1800
88176.181.05	Red	18*1	V+ /V-	DC24	750	18	450
88176.181.06	Green	18*1	V+ /V-	DC24	750	18	1080
88176.181.07	Blue	18*1	V+ /V-	DC24	750	18	540
88176.181.08	Yellow	18*1	V+ /V-	DC24	750	18	1260
88176.183.09	RGB-DMX512 (3 channel)	18*3	V+ /V-/D+/D-/GND	DC24	R: 375 G: 375 B: 375	R: 9 G: 9 B: 9	R: 315 G: 720 B: 360
88176.213.12	RGBW-DMX512 (4 channel)	21*3	V+ /V-/D+/D-/GND	DC24	R: 333 G: 333 B: 333 W: 167	R: 8 G: 8 B: 8 W: 4	R: 280 G: 640 B: 240 W: 380



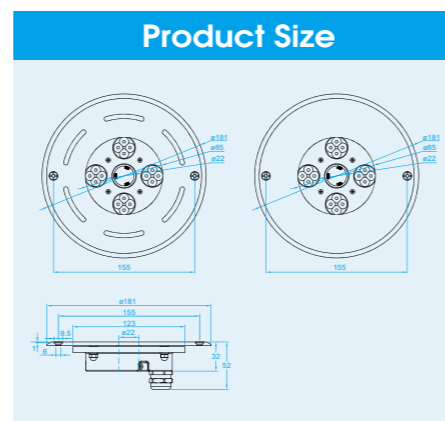
Specification

Model No.:	RS-FT24W316X-A(88177)
Front cover & Housing:	Stainless steel 316L
Dimensions:	D123*H32mm (Nozzle hole size: 22mm)
Tempered Glass:	8mm thickness
LED chip:	Cree
LED Q'ty:	12pcs 3W LED / 16pcs 3W LED
Cable gland:	Stainless steel 316L PG13.5
Driver:	Constant current driver
Lens:	Clear, Bead
Beam Angle Options:	10° 30° 60°
Power Cable:	3/18AWG or 5/18AWG SOOW rubber cable
Protection Class:	IP68
Environment:	Dry / Submerged
Mounting Hardware:	Surface Mounted System / Nozzle fixed
Net Weight:	1.9kgs with 1.5m cable
Lifetime:	>50000H

Order information

Item code	Color	Light source(w)	Line Way	Input Voltage (v)	Operating current (mA)	Consumption (w)	Luminous flux (lm)
88177.123.01	2700-3000K	12*3	V+ /V-	DC24	750	18	1200
88177.123.02	4000-4500K	12*3	V+ /V-	DC24	750	18	1320
88177.123.03	5000-5500K	12*3	V+ /V-	DC24	750	18	1440
88177.123.04	6000-6500K	12*3	V+ /V-	DC24	750	18	1440
88177.123.05	Red	12*3	V+ /V-	DC24	750	18	420
88177.123.06	Green	12*3	V+ /V-	DC24	750	18	960
88177.123.07	Blue	12*3	V+ /V-	DC24	750	18	360
88177.123.08	Yellow	12*3	V+ /V-	DC24	750	18	960
88177.123.09	RGB-DMX512 (3 channel)	12*3	V+ /V-/D+/D-/GND	DC24	R: 250 G: 250 B: 250	R: 6 G: 6 B: 6	R: 210 G: 480 B: 180
88177.163.12	RGBW-DMX512 (4 channel)	16*3	V+ /V-/D+/D-/GND	DC24	R: 250 G: 250 B: 250 W: 250	R: 6 G: 6 B: 6 W: 6	R: 210 G: 480 B: 180 W: 570



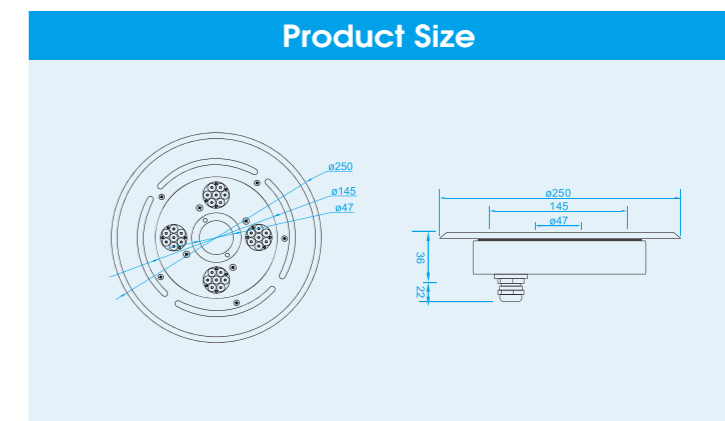


Specification

Model No.:	RS-FT24W316X-B(88178)
Front cover & Housing:	Stainless steel 316L
Dimensions:	D181*H32mm(Nozzle hole size: 22mm)
Tempered Glass:	8mm thickness
LED chip:	Cree
LED Q'ty:	12pcs 3W LED / 16pcs 3W LED
Cable gland:	Stainless steel 316L PG13.5
Driver:	Constant current driver
Lens:	Clear, Bead
Beam Angle Options:	10° 30° 60°
Power Cable:	3/18AWG or 5/18AWG SOOW rubber cable
Protection Class:	IP68
Environment:	Dry / Submerged
Mounting Hardware:	Surface Mounted System / Nozzle fixed
Net Weight:	2.0kgs with 1.5m cable
Lifetime:	>50000H

Order information

Item code	Color	Light source(w)	Line Way	Input Voltage (v)	Operating current (mA)	Consumption (w)	Luminous flux (lm)
88178.123.01	2700-3000K	12*3	V+ /V-	DC24	750	18	1200
88178.123.02	4000-4500K	12*3	V+ /V-	DC24	750	18	1320
88178.123.03	5000-5500K	12*3	V+ /V-	DC24	750	18	1440
88178.123.04	6000-6500K	12*3	V+ /V-	DC24	750	18	1440
88178.123.05	Red	12*3	V+ /V-	DC24	750	18	420
88178.123.06	Green	12*3	V+ /V-	DC24	750	18	960
88178.123.07	Blue	12*3	V+ /V-	DC24	750	18	360
88178.123.08	Yellow	12*3	V+ /V-	DC24	750	18	960
88178.123.09	RGB-DMX512 (3 channel)	12*3	V+ /V-/D+/D-/GND	DC24	R: 250 B: 250 G: 250	R: 6 B: 6 G: 6	R: 210 B: 180 G: 480
88178.163.12	RGBW-DMX512 (4 channel)	16*3	V+ /V-/D+/D-/GND	DC24	R: 250 B: 250 G: 250 W: 250	R: 6 B: 6 G: 6 W: 6	R: 210 B: 180 G: 480 W: 570



Specification

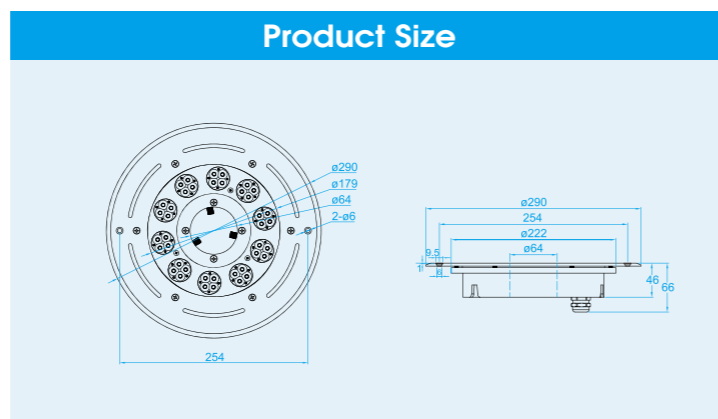
Model No.:	RS-FT30W316X(88104)
Front cover & Housing:	Stainless steel 316L
Dimensions:	D250*H36mm (Nozzle hole size: 47mm)
Tempered Glass:	10mm thickness
LED chip:	CREE
LED Q'ty:	20pcs 3W LED
Cable gland:	Stainless steel 316L PG13.5
Driver:	Constant current driver
Lens:	Clear, Bead, Frosted
Beam Angle Options:	15° 30°
Power Cable:	AWG 5/18 SOOW rubber cable
Protection Class:	IP68
Environment:	Dry / Submerged
Mounting Hardware:	Surface Mounted System / Nozzle fixed
Net Weight:	3.5kgs with 1.5m cable
Lifetime:	>50000H

Order information

Item code	Color	Light source(w)	Line Way	Input Voltage (v)	Operating current (mA)	Consumption (w)	Luminous flux (lm)
88104.203.16	RGBWA-RDM (5 channel)	20*3	V+ /V-/D+/D-/GND	DC24	R: 250 B: 250 G: 250 W: 250	R: 6 B: 6 G: 6 A: 6	R: 70 B: 60 G: 160 W: 380 A: 360



NEW



Specification

Model No.:	RS-FT70W316X(88132)
Front cover & Housing:	Stainless steel 316L
Dimensions:	D290*H46mm (Nozzle hole size: 64mm)
Tempered Glass:	10mm thickness
LED chip:	Cree
LED Q'ty:	50pcs 3W LED
Cable gland:	Stainless steel 316L PG13.5
Driver:	Constant current driver
Lens:	Clear, Bead, Frosted
Beam Angle Options:	10° 30° 60°
Power Cable:	3/18AWG or 5/18AWG SOOW rubber cable
Protection Class:	IP68
Environment:	Dry / Submerged
Mounting Hardware:	Surface Mounted System / Nozzle fixed
Net Weight:	6.0kgs with 1.5m cable
Lifetime:	>50000H

Order information

Item code	Color	Light source(w)	Line Way	Input Voltage (v)	Operating current (mA)	Consumption (w)	Luminous flux (lm)
88132.503.16	RGBWA-RDM (5 channel)	50*3	V+ /V-/D+ /D- /GND	DC24	R: 583 G: 583 B: 583 W: 583	R: 14 G: 14 B: 14 W: 14 A: 14	R: 163 G: 420 B: 140 W: 887 A: 840

